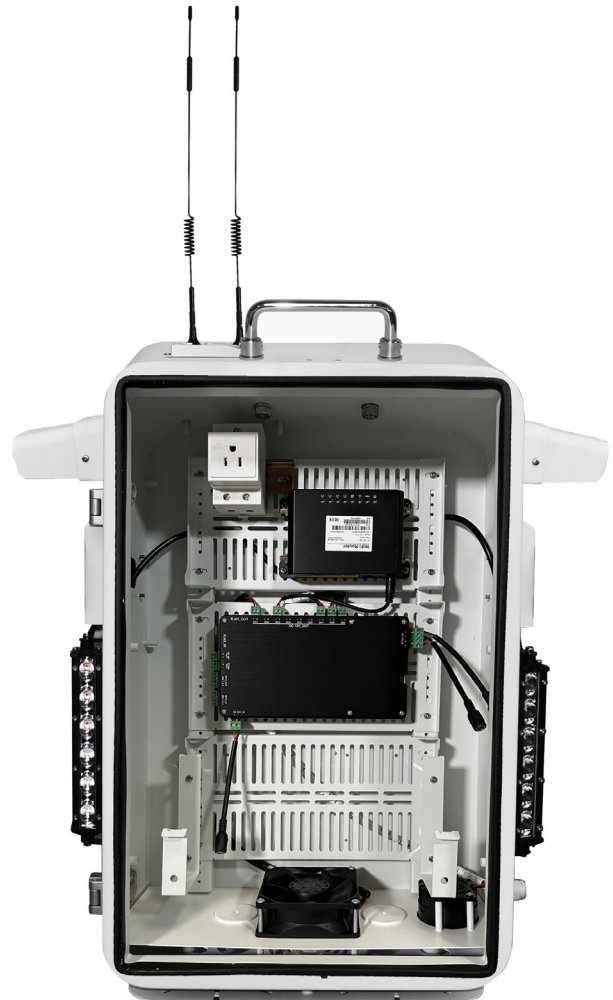


## Installation Guide

### Features

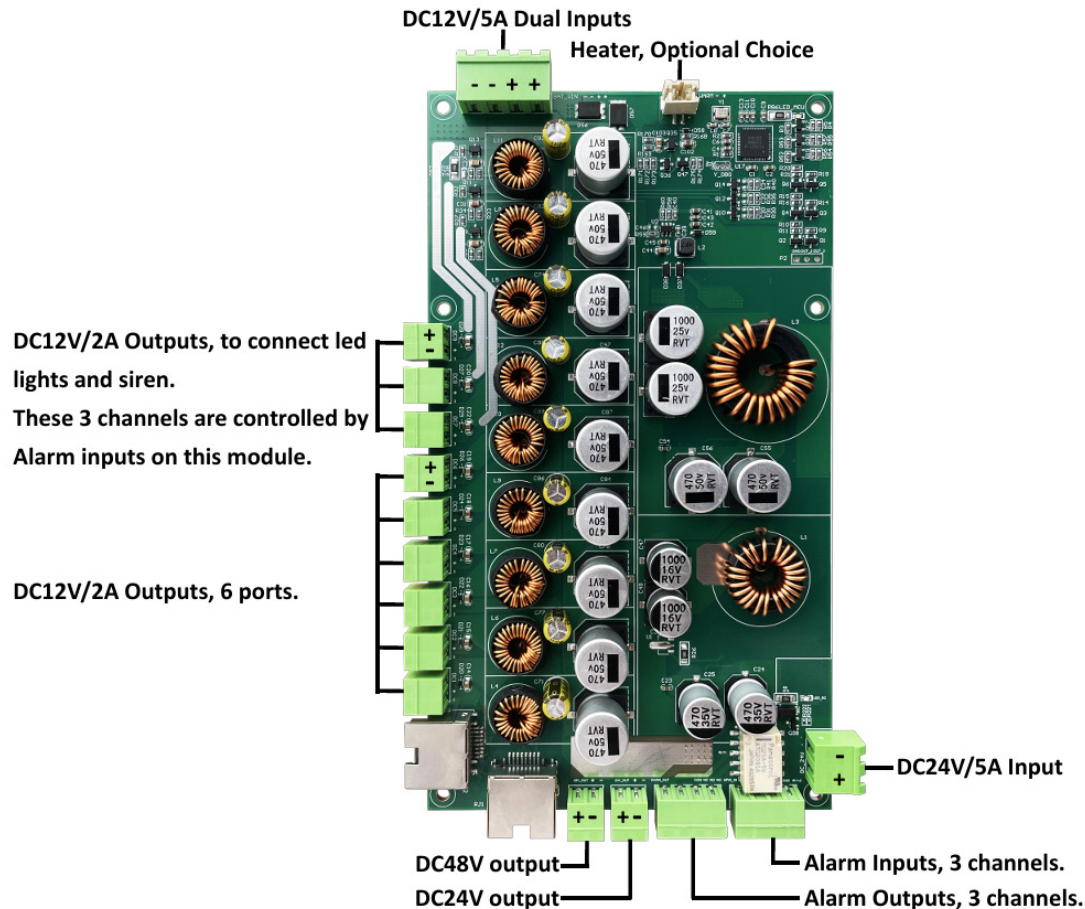
- ① 120W Built-in Control Module for Whole Box Working (Max 240W)
- ② DC12V/10A and DC24V/5A Power Inputs; Built-in DC24V/3A Power Supply and USA Standard Plug
- ③ 9CH DC12V Outputs, 1CH DC24V Output, and 1CH DC48V Output, plus 3xAlarm In&Out and RJ45
- ④ Built-in 4G Router and Antenna
- ⑤ Built-in 120dB Siren
- ⑥ External Red & Blue Light Strips (up to 18W, IP67 Rating and Angle Adjustable)
- ⑦ Built-in Thermostat Fan for Cooling with Heat Sink Foil inside Box
- ⑧ 4 x IP Cameras Installation, 2 Sides with NPT 3/4" Male Screw, and bottom Installation Plate;
- ⑨ Hand Carrier Design;
- ⑩ Built-in Din Rail Design and Universal Panels for Different Installation Direction/Height.



# Specifications

Power Control Module		Onboard Siren	
Inputs	1x DC12V, 1x DC24V 1x RJ45, 3x Alarm	Material	Fire-Proof PC, Rain&Dust Proof
Outputs	9x DC12V, 1xDC24V, 1xDC48V, 3x Alarm, 1x RJ45	dB	120
4G Router(AT&T and T-Mobile)		Strobe Light	
Band & Frequency	FDD LTE:B2/B4/B5/B12/B13/B14/B66 /B71 WCDMA:B2/B4/B5	Material	Aluminum
Protocol	IEEE 802.11n, IEEE 802.11g, IEEE 802.11b, IEEE802.11ac , IEEE802.11a IEEE 802.3, IEEE 802.3u	Power	18W
RT Power	802.11b 18dBm±2dBm; 802.11g 15dBm±2dBm; 802.11n 15dBm±2dBm	Color	Red & Blue
Reception Frequency	802.11b: -83dBm@10% PER 802.11g: -74dBm@10% PER 802.11n: -68dBm@10% PER	IP Rating	IP67
Work Channel	2.4GHz Choose: 1-13	Power Supply	Built-in DC24V/3A
Wireless Rate	Max 300Mbps	Fan	
Work Frequency	2.4GHz	MTBF	10 Years (Works down to 30 Degrees)
Interface	1 PCI-E slot 1 SIM card slot 1 USB 2.0 port 1 Micro SD card slot 1 10/100M WAN port(Auto MDI/MDIX) 4 10/100M LAN port(Auto MDI/MDI)	General	
Antenna	4G Omni Direction Antenna x2.	Mounting	Pole (4 clamps included) and Wall Mount w/ M6 Screws
Button	Reset/WPS	Box Dimension	13.78"(w)x21.26"(h)x6.69"(d)

# Wiring Diagram



## How to Trigger the Siren and Strobe Lights?

The Alarm Input on the Power Control Module (PCM) is set up left to right: GND|GPIO1|2|3

- 1.) Wire the Camera Alarm Out or NVR Alarm Output to the Alarm Input on the PCM
- 2.) Configure the Alarm Output of your device to be NO
- 3.) Configure your desired event (motion, line-crossing, intrusion, etc) to trigger the Alarm Output

## Use the Alarm Output on PCM

The Alarm Output on the Power Control Module (PCM) is set up left to right: GND|GPIO1|2|3

The PCM alarm outputs are daisy-chained outputs allowing connection to more alarm devices.

## RJ45 Ports on PCM

The RJ45 ports on the PCM are for easy cable management and only serve as a pass-through.

## Router does not have POE

Devices needing 12V power will need power via one of six DC12V/2A Outputs.

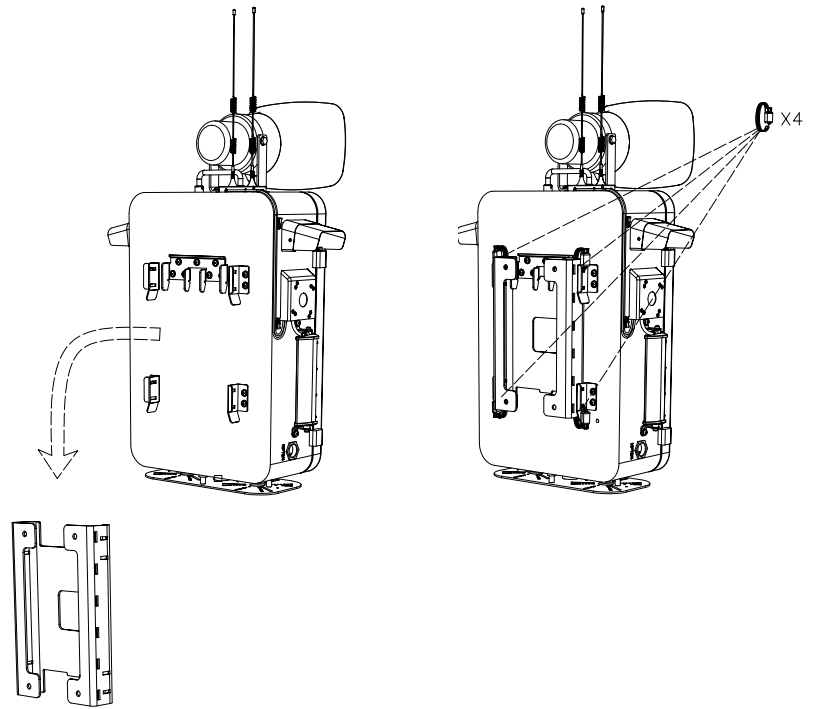
## Thermostat and Ventilation Fan

Thermostat and Fan is controlled by the PCM and does not have any configuration to change.

# Mounting Instructions

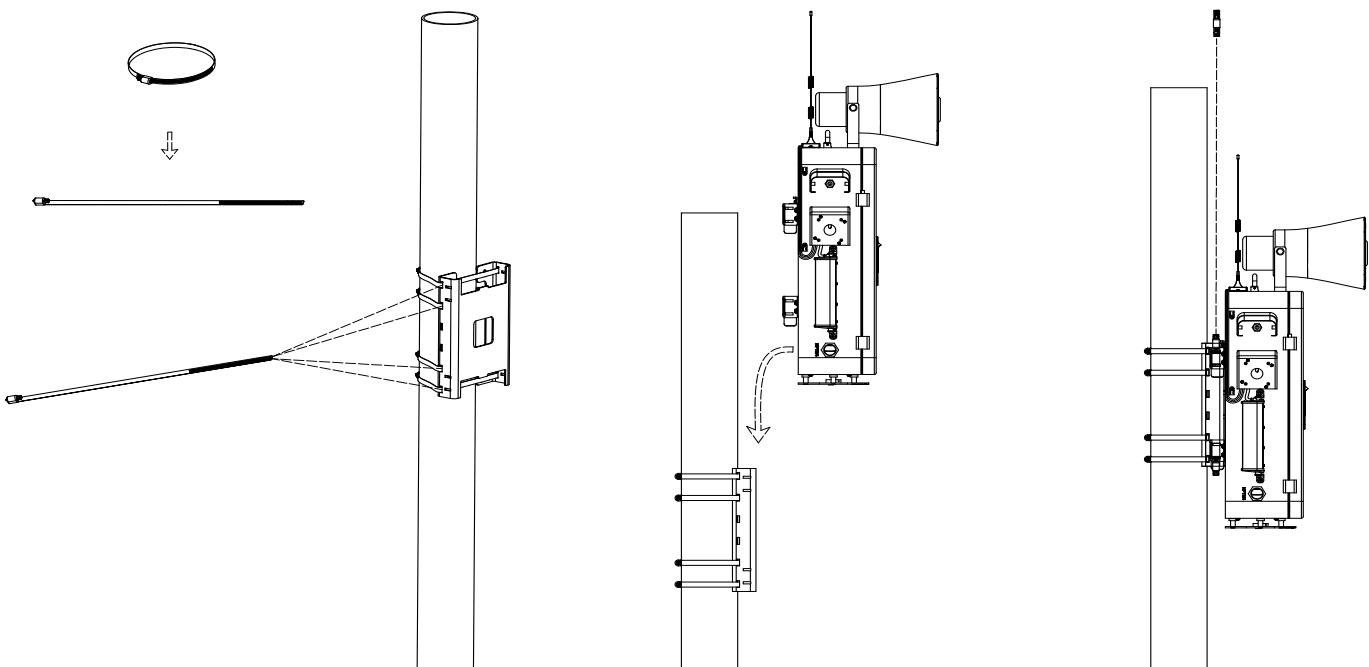
The mounting bracket is two main pieces:  
The detachable bracket  
The mounting bracket on the back of the box

Once the bracket has been mounted in an appropriate place, slide the box down onto the detachable bracket, and secure with the supplied smaller metal screw bands.



## Pole Mounting

Use the 4 long metal screw bands to secure the detachable bracket to the pole.  
Once in place, slide the box onto the bracket  
Secure with the 4 smaller screw bands.



# Mounting Instructions cont.

---

## Wall Mounting

Use the 4 concrete bolts to secure the detachable bracket to the wall.  
Place the bolts into the wall, install the bracket, and tighten nuts onto bolts.  
Once in place, slide the box onto the bracket  
Secure with the 4 smaller screw bands.

